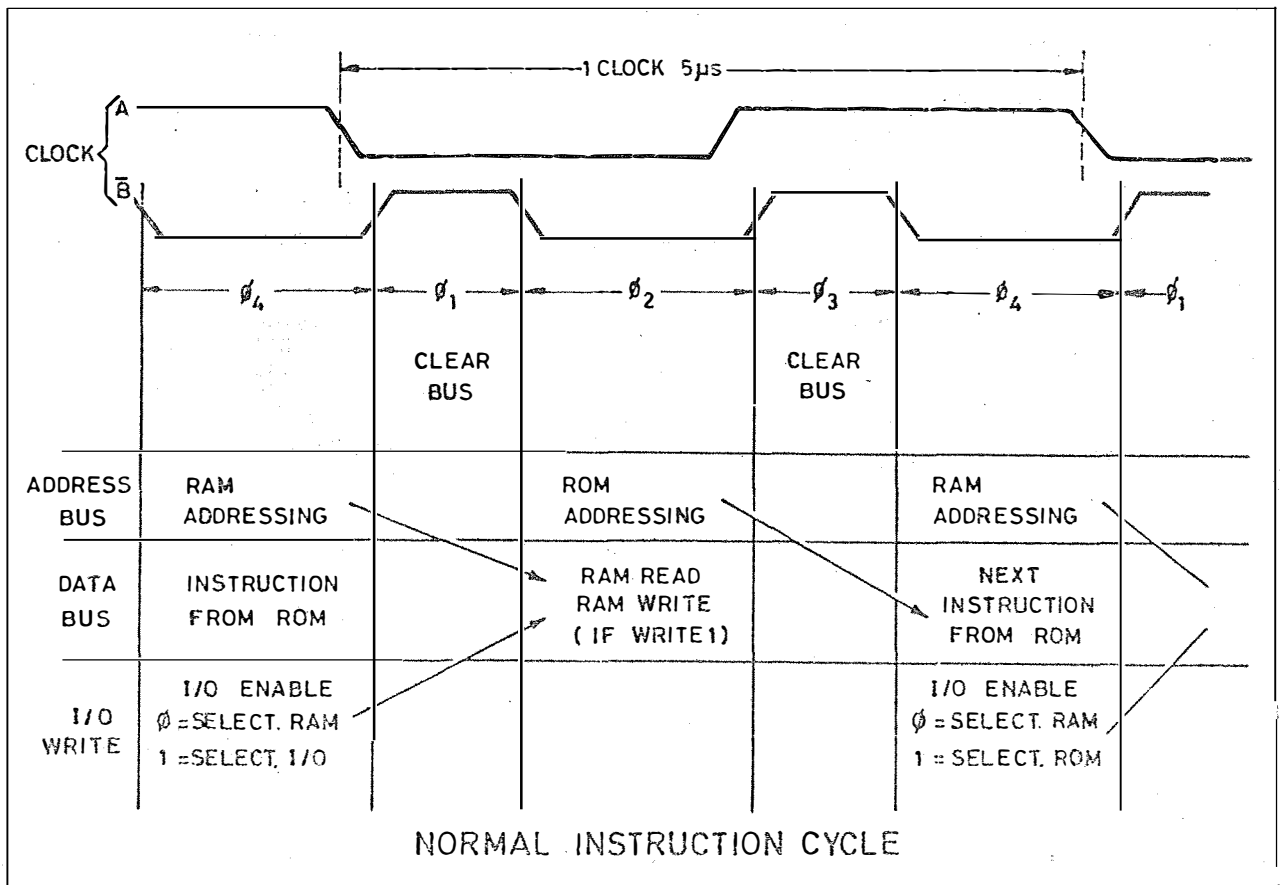
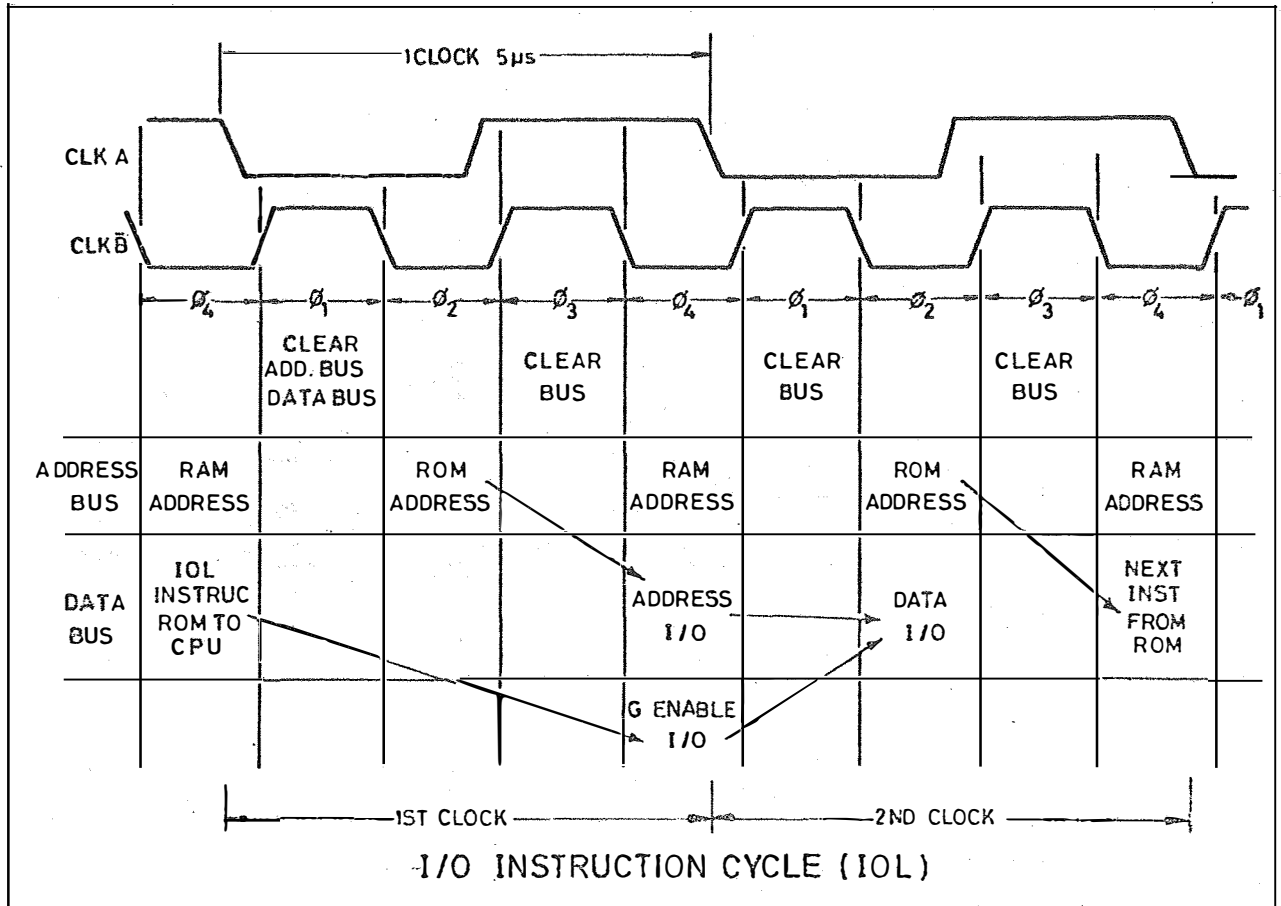
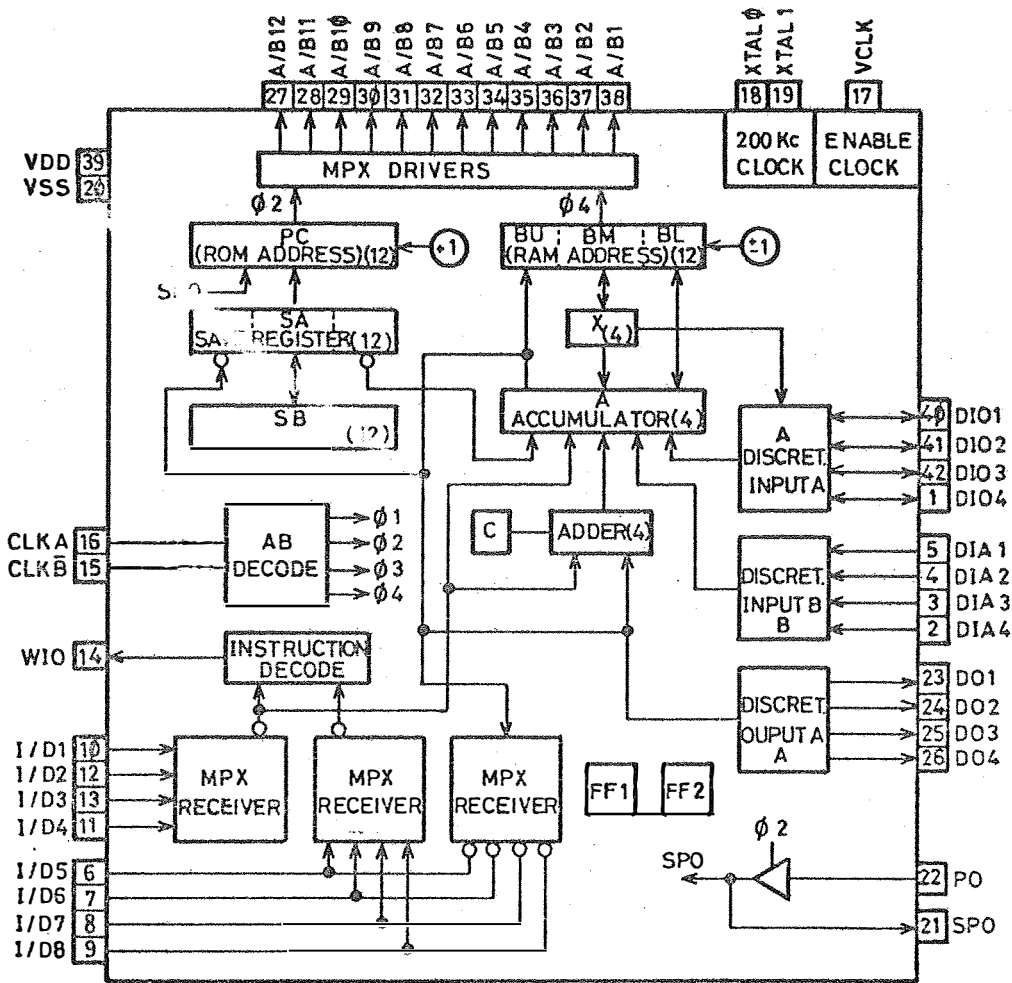


SECTION 6

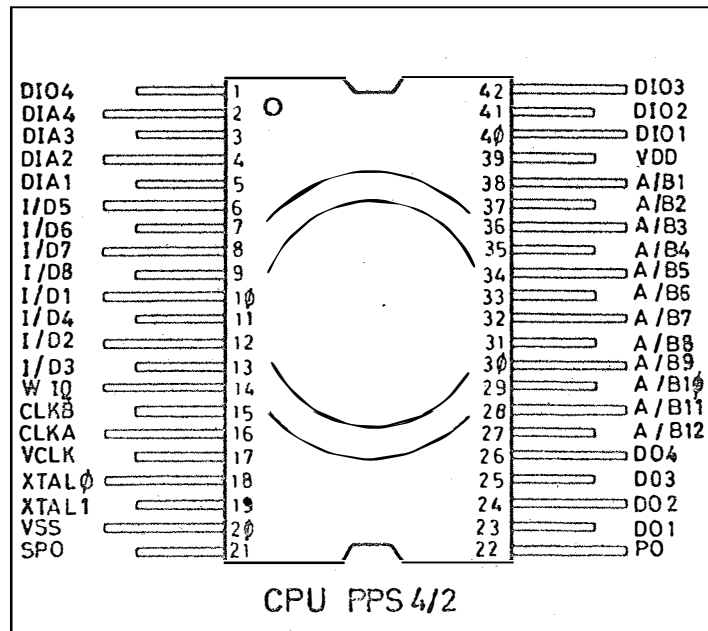
TIME BASE DIAGRAM PPS-4/2 FAMILY



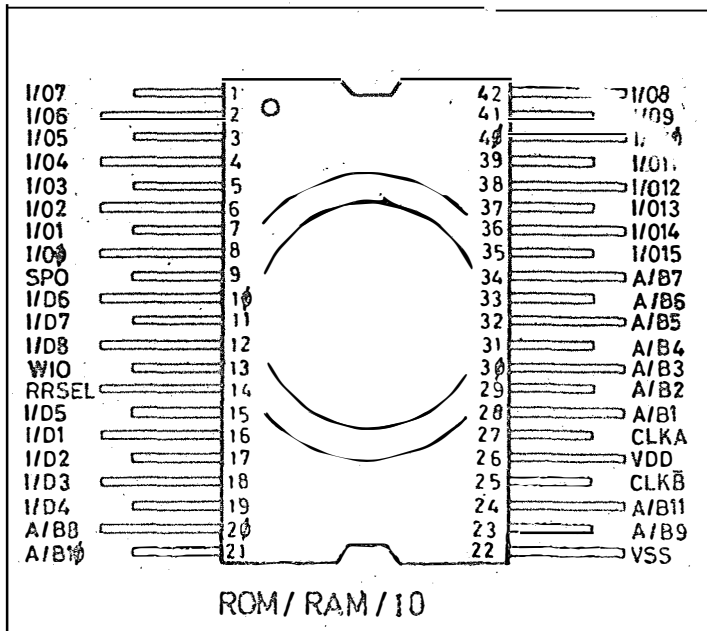
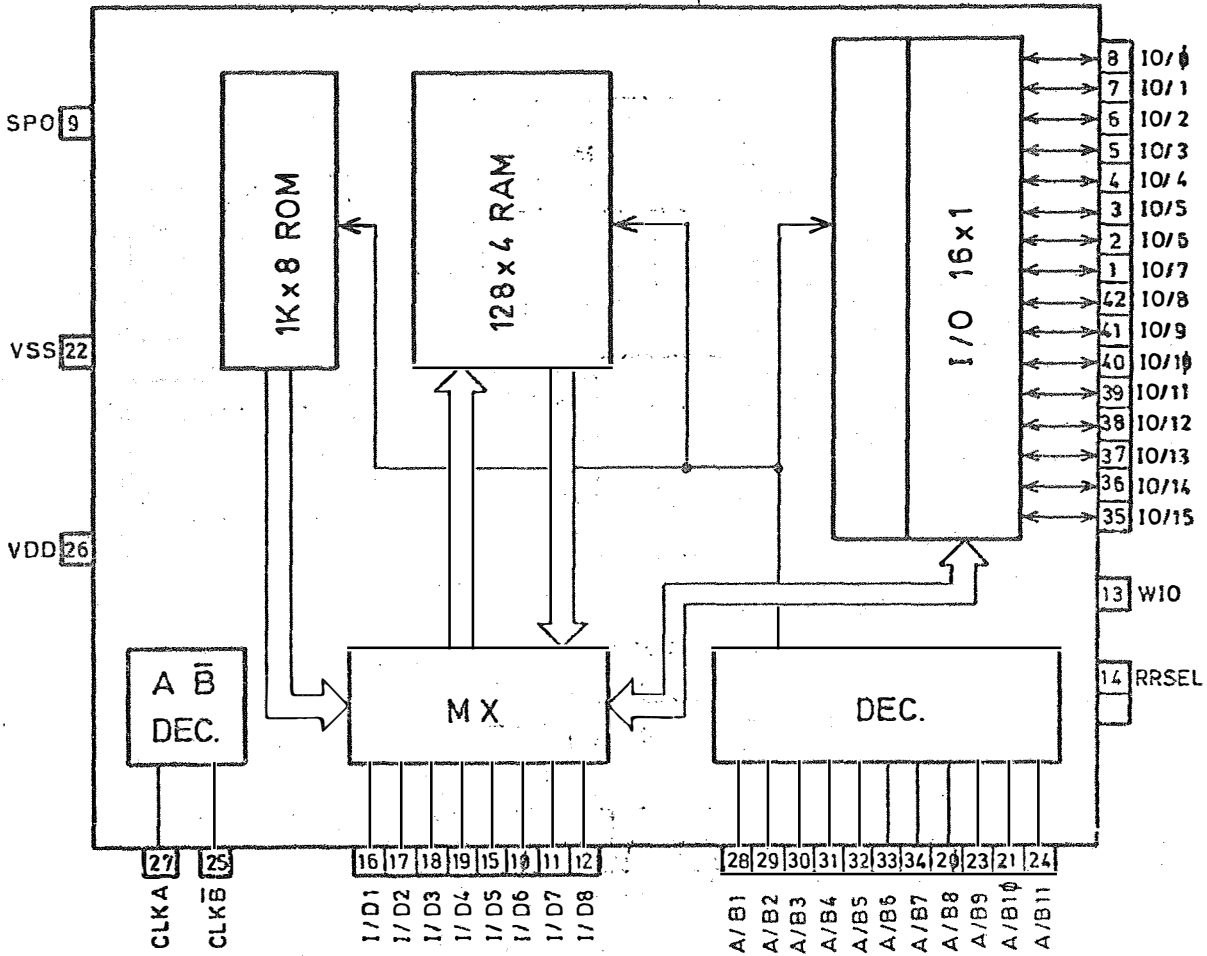
CPU / PPS - 4/2 / PN 11660



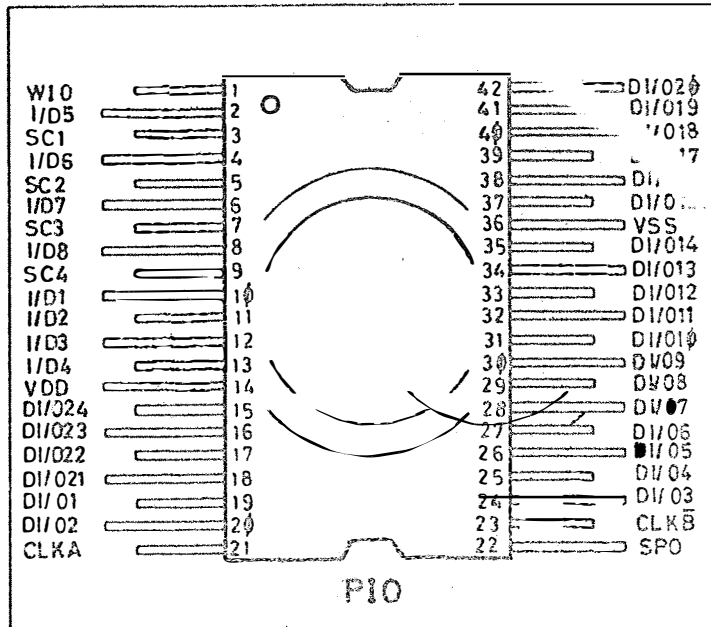
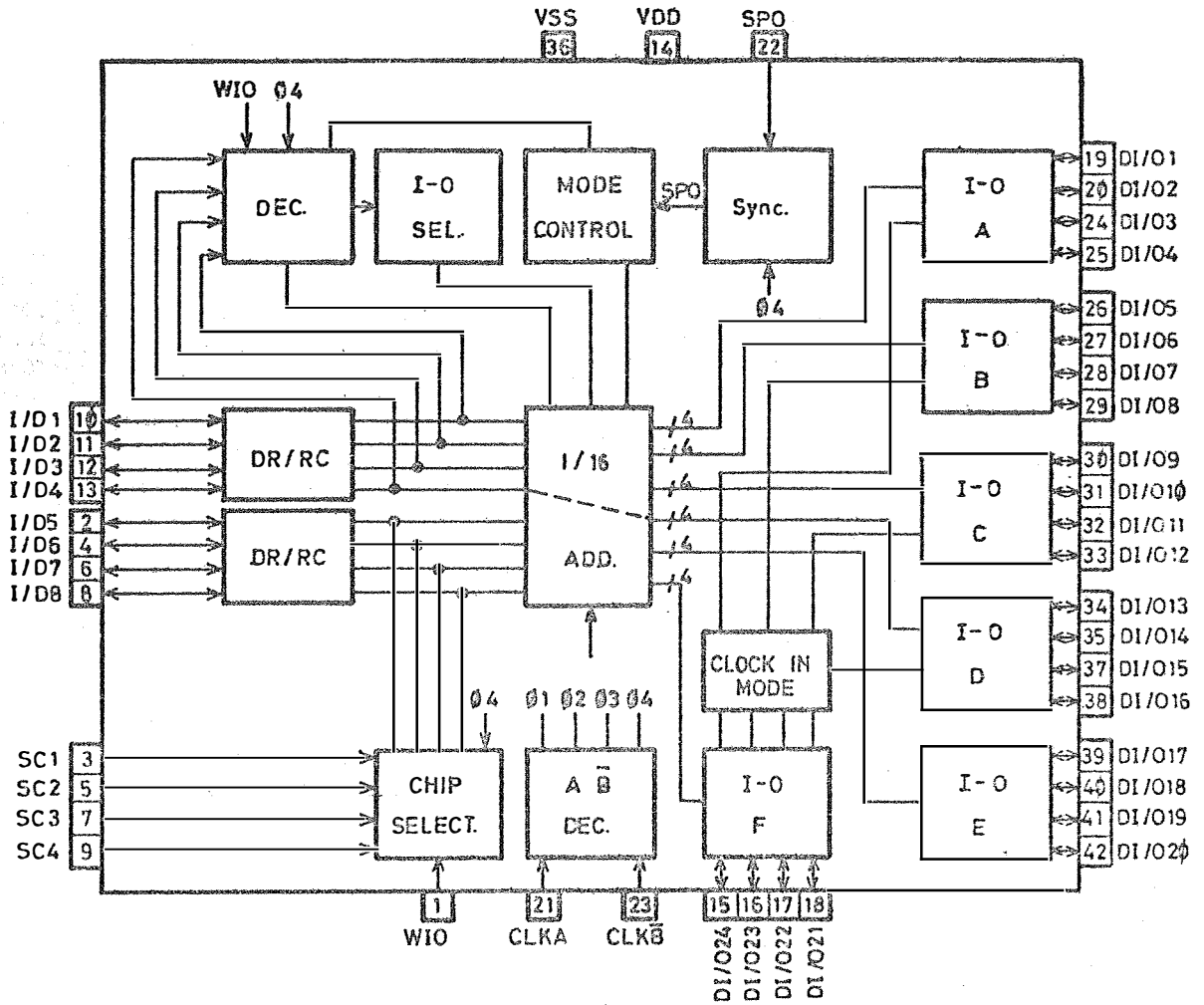
VDD = -12V
VSS = +5V



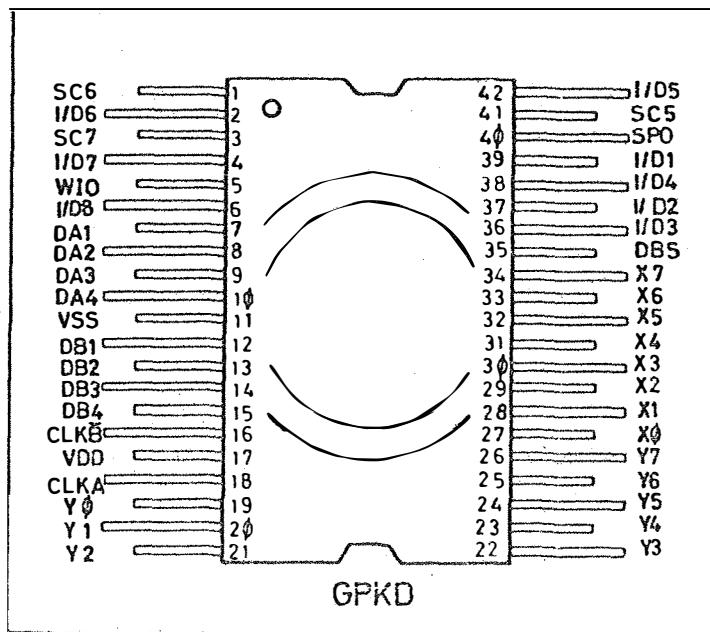
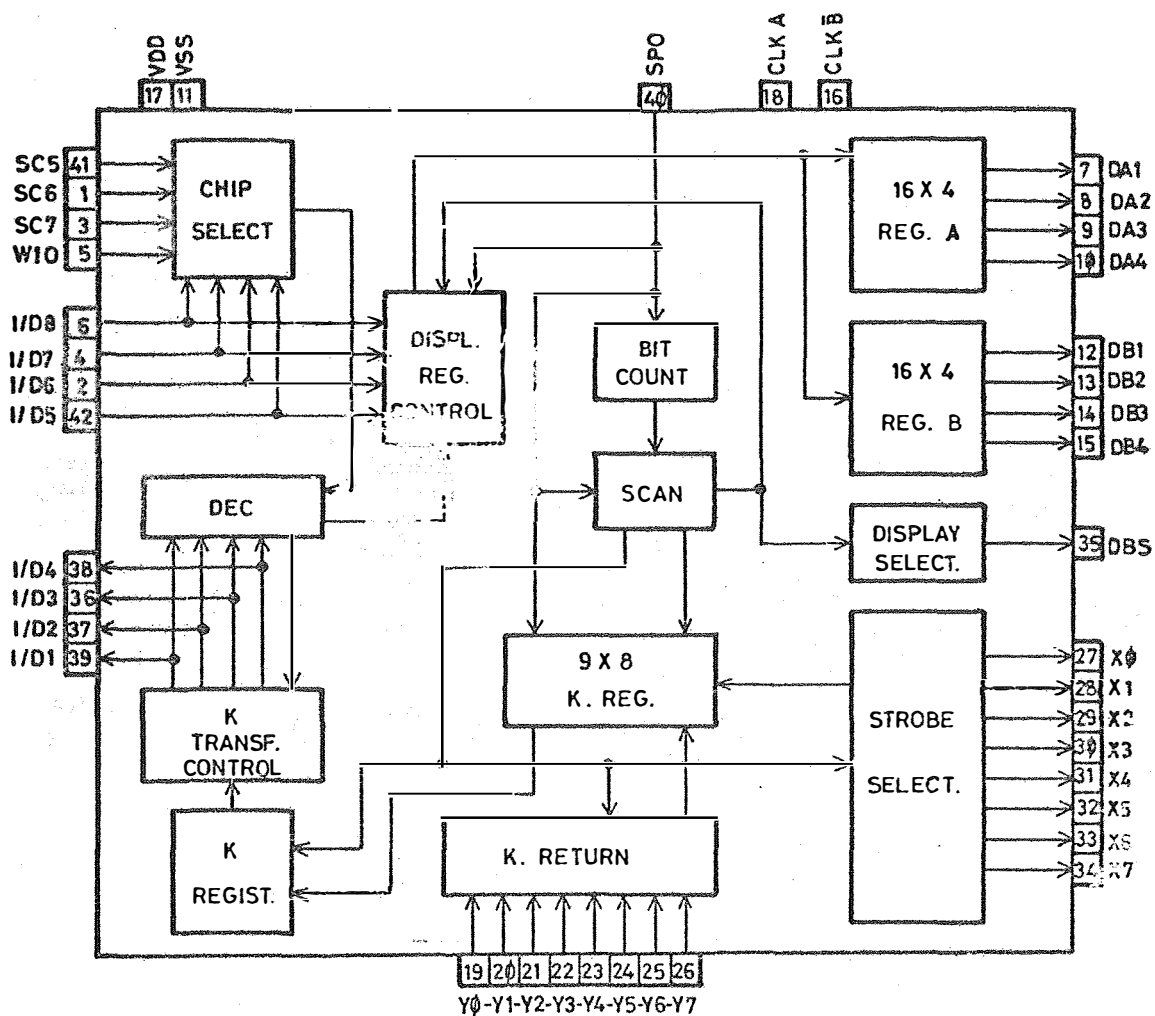
ROM / RAM / I-O A 2361-62 A 1761-62



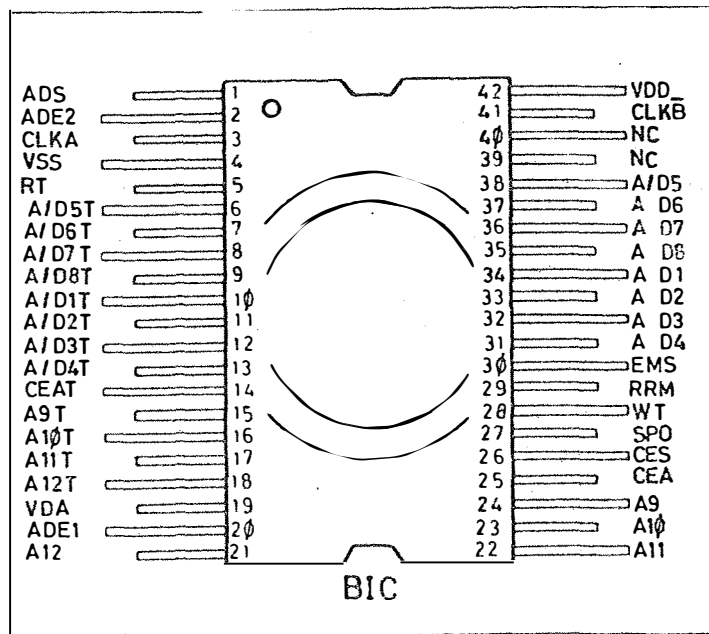
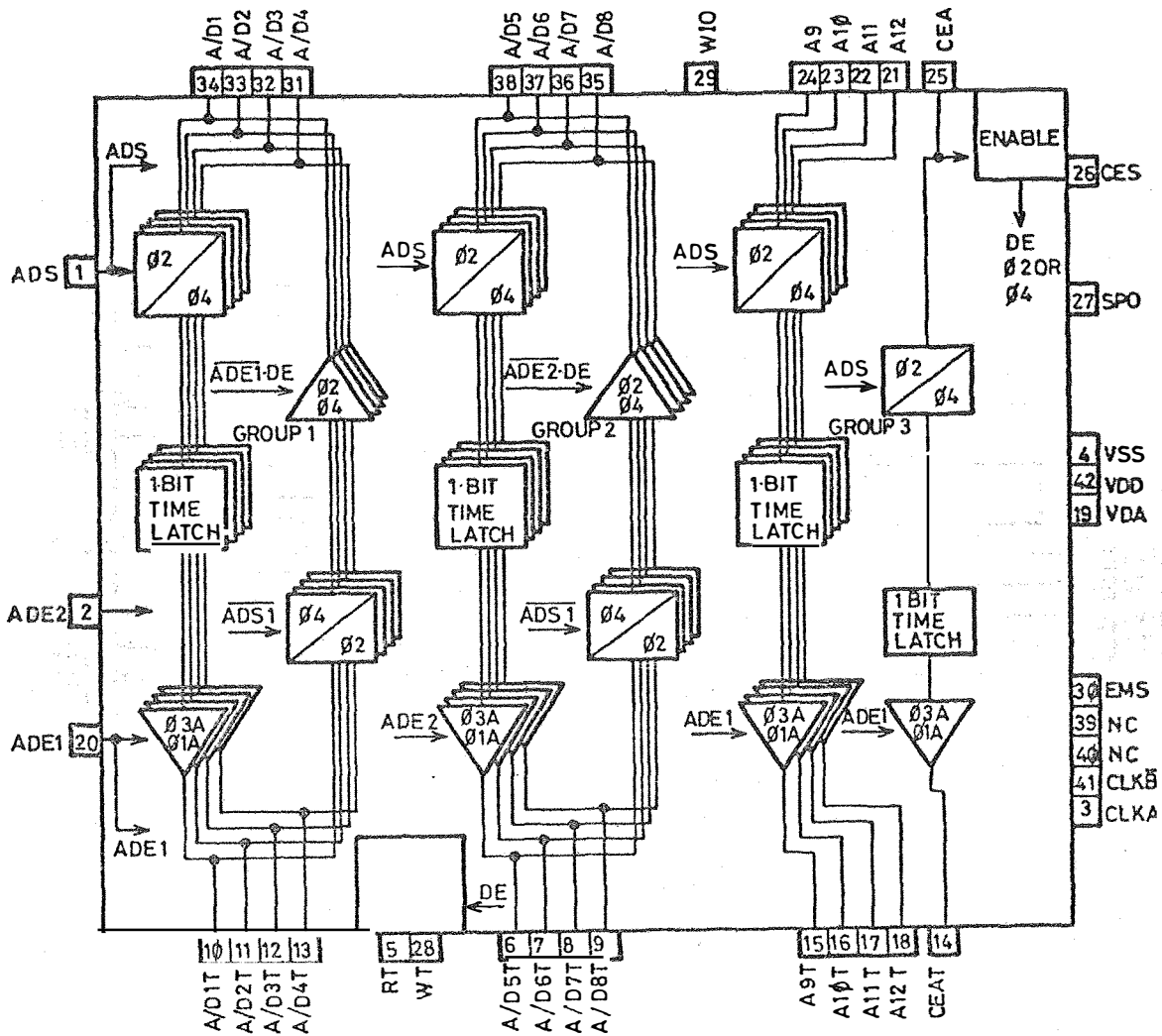
PIO / PN11696



GPKI, PN10788

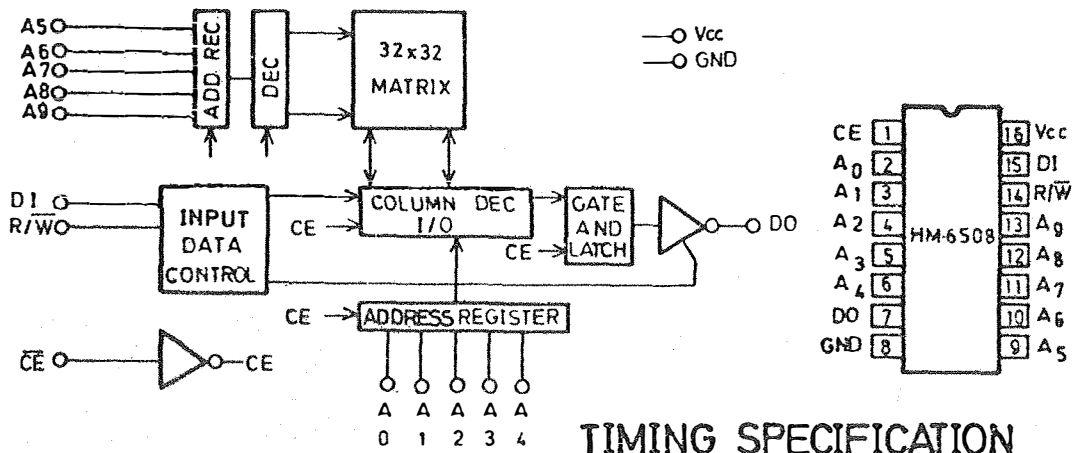


BIC/PN 10 738

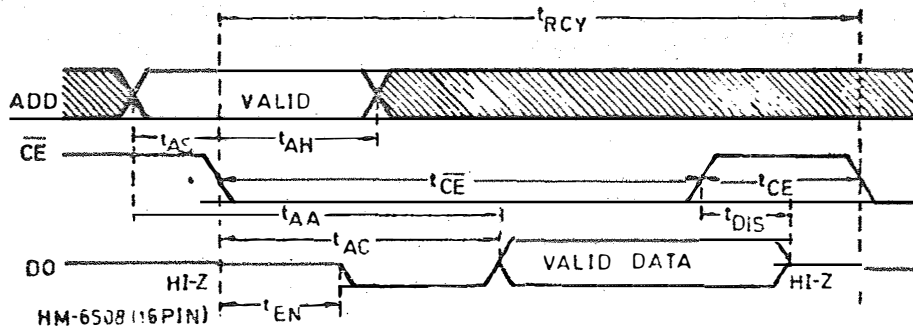


HM6508-9 RAM CMOS MEMORY

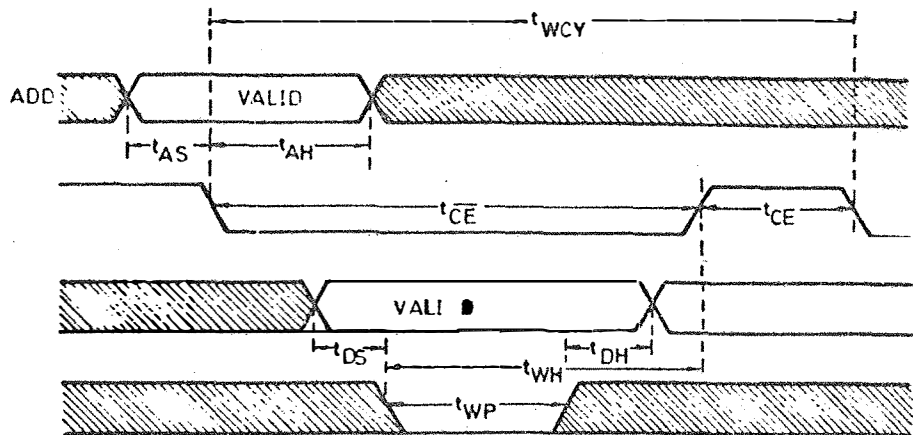
BLOCK DIAGRAM



TIMING SPECIFICATION



READ CYCLE



WRITE CYCLE

