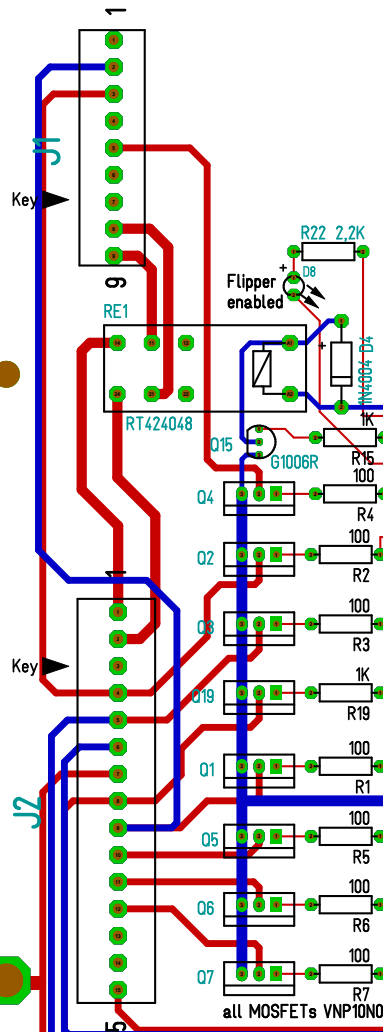
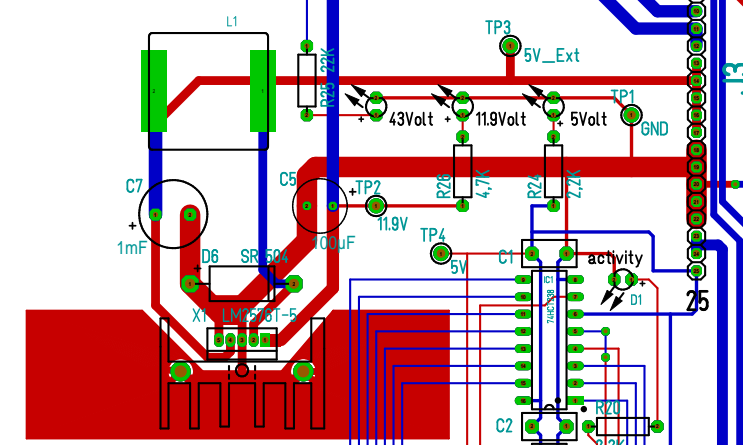


Caution! High Voltage

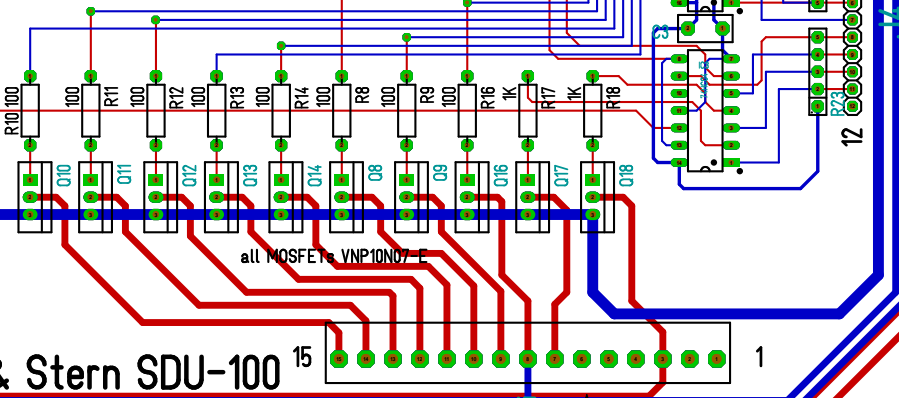


# BallyDri



v1.11 10/2024 www.lisy.dev

## replacement for Bally 2518-16, 2518-22 & Stern SDU-100



all MOSFETs VNP10N07-E